

# MODEL 512

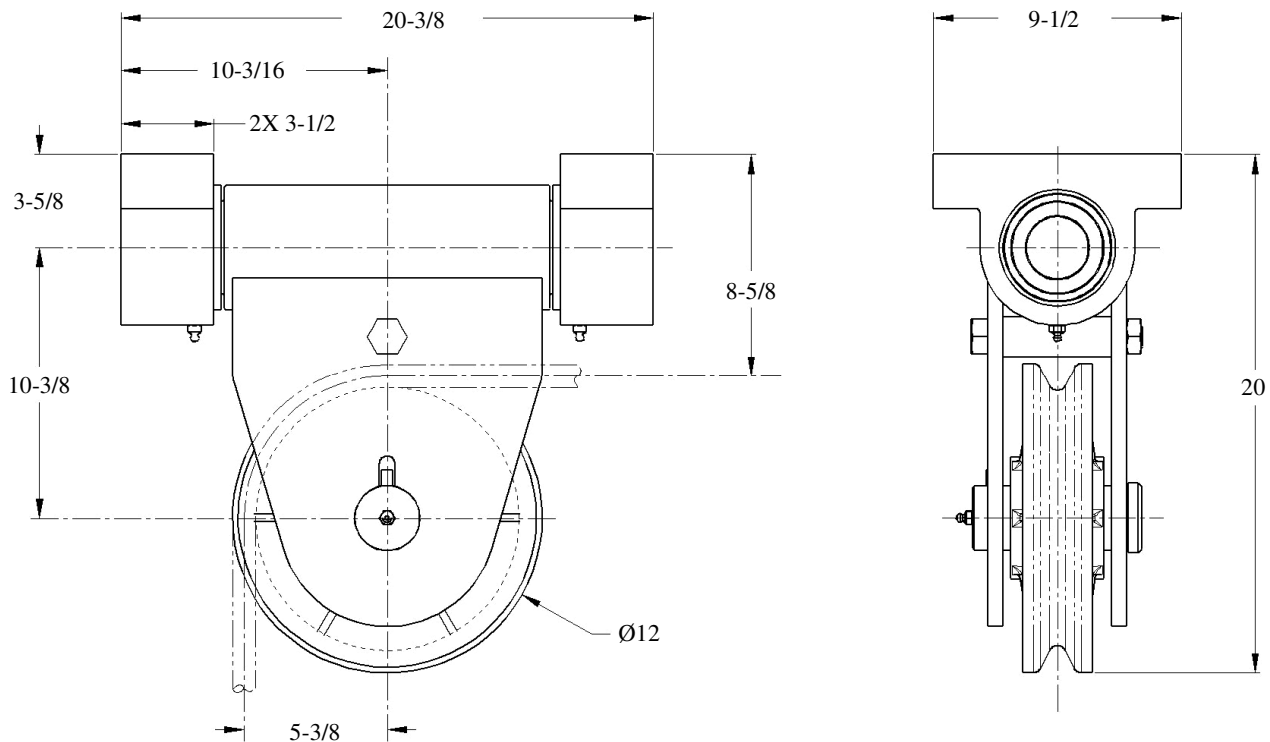


### STANDARD FEATURES

- Designed for Breaking Strength of 1" (25 mm) EIPS Wire Rope, 103,400 LBS, with 90° Wrap on the Sheave and ±90° Swivel
- Cast Steel Sheave with Hardened Rope Groove for Longer Life
- Grease Lubricated Bronze Bearings in Swivelhead
- Sealed Tapered Roller Bearings in Sheave
- Bolt Down Mounting Base
- Epoxy Primer Coating

### OPTIONAL FEATURES

- Customized Design to Suit Your Application
- Seawater Lubricated Bearings for Underwater Use
- Stainless Steel or Nylon Sheaves
- Load Monitoring System
- Three Coat Marine Paint System
- Third Party Certification



WEIGHT: 248 LBS

\* DIMENSIONS SUBJECT TO CHANGE WITHOUT NOTICE\*

**Smith Berger Marine, Inc. - Mooring & Towing Solutions**

7915 10<sup>th</sup> Ave. S., Seattle, WA 98108 USA

Tel. 206.764.4650 - Toll Free 888.726.1688 - Fax 206.764.4653

E-mail: [sales@smithberger.com](mailto:sales@smithberger.com) - Web: [www.smithberger.com](http://www.smithberger.com)